

EASY LIGHT Power LED


5 Years Warranty

Arredamento Interno - indoor

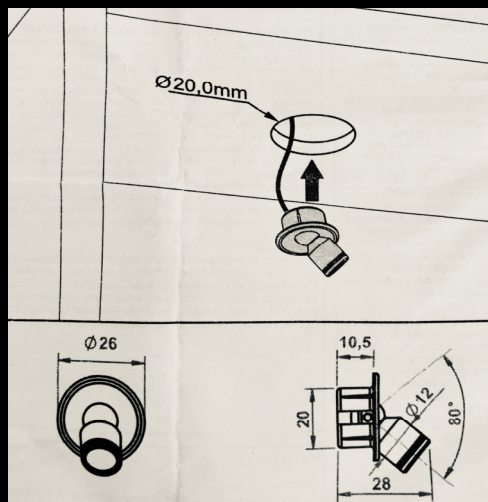
Code/Art. **VTOR 1** (1,2 W - lm 100) IP44

SPOT LED Tondo LED Orientabile
SPOT LED Round Adjustable LED

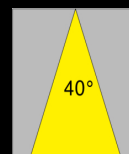
Dimensioni
Dimensions

 11 x h28 mm

Foro da praticare
Installation Hole 20mm






Beam



EASY LIGHT Power LED

SPOT LED Tondo regresso incasso a soffitto

SPOT LED Round Downlight recessed

| Code/Art. VT0R 1 W | | Power Watt : 1,2 | Driver : 12Vdc |
|--|---|---|--|
| LED Module 1 x 1,2 | | | |
| Protection Class : IP44 | EN 60529 Class |  |   RoHS |
| Ghiera / Diffusore : Grigio Alluminio - Nero <i>Ring / Painted aluminium diffuser Grey - Black</i> | | | |
| LED CRI>80 con protezione trasparente resistente ai raggi UV Lente : 40° <i>LED CRI>80 with UV resistant polycarbonate transparent protection Beam : 40°</i> | | | |
| LED con Struttura dissipante in Alluminio anodizzato <i>LED with Anodized aluminium dissipating structure</i> | | | |
| Code/Art. VTOR 1 | Dimensioni diametro Ø 11 x h28mm <i>Dimensions diameter Ø 11 x h28mm</i> | Foro da praticare diametro Ø: 20mm <i>Installation hole diameter Ø: 20mm</i> | |
| Alimentazione 230Vac ON/OFF tramite Alimentatore remoto escluso <i>Power Supply 230Vac ON/OFF Remote LED Driver NOT included</i> | | | |
| Optional : Alimentatore Dimmer :DALI - 1-10V - PO Pulsante <i>Optional : Dimmable LED Driver :DALI - 1-10V - Open Push</i> | | | |
| Possibilità di collegamento elettrico tra più articoli <i>Possibility of electrical connection between more items</i> | | | |
| Code / Art. | Kelvin grades / Color Temperature LED | Lumen | lm |
| VTOR 1 - 10 40° | ■ Cold White 5000K | 108 | |
| VTOR 1 - 11 40° | ■ Natural White 4000K | 100 | |
| VTOR 1 - 12 40° | ■ Warm White 3000K | 94 | |

5 Years Warranty - Long Life Power Led

www.ett-led.com